

# Thrust Ball Bearings

Bearing No. : **NACHI 53203**

■ Bearing Type

■ Clearance

■ Tolerance Class

Dimensions

d = 17                    0  
                              -0.008

D = 35                    0  
                              -0.016

T3 = 13.2

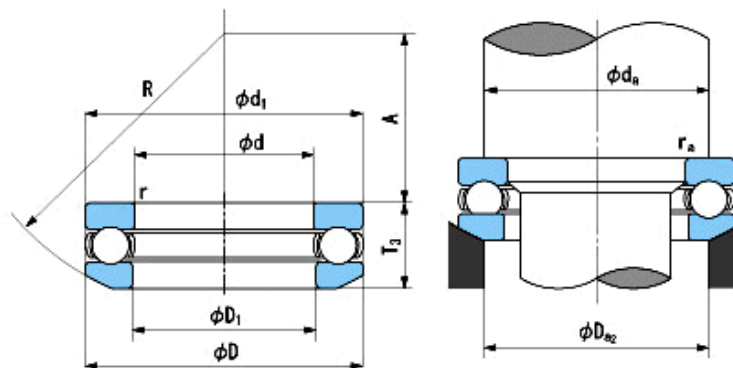
r = 0.6~1.5  
(Radial Direction and Axial Direction)

D1(min) = 19

d1(max) = 35

R = 32

A = 16



Dimensions  
da(min) = 28  
Da2(max) = 24  
ra(max) = 0.6  
Mass = 0.055 kg

Basic Dynamic Load Rating Ca : **17,100** N

Basic Static Load Rating Coa : **27,300** N

Limiting Speed ;

Grease Lubrication : **4,800** min<sup>-1</sup>

Oil Lubrication : **7,300** min<sup>-1</sup>

|                                | INNER RING | OUTER RING |
|--------------------------------|------------|------------|
| O.D.Surface Runout with Side : |            | -          |
| Axial Runout with Bore :       | -          |            |
| Axial Runout with Raceway :    | -          |            |
| Width Variation :              | -          |            |
| Radial Runout :                | -          |            |